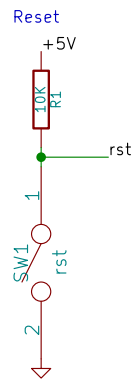
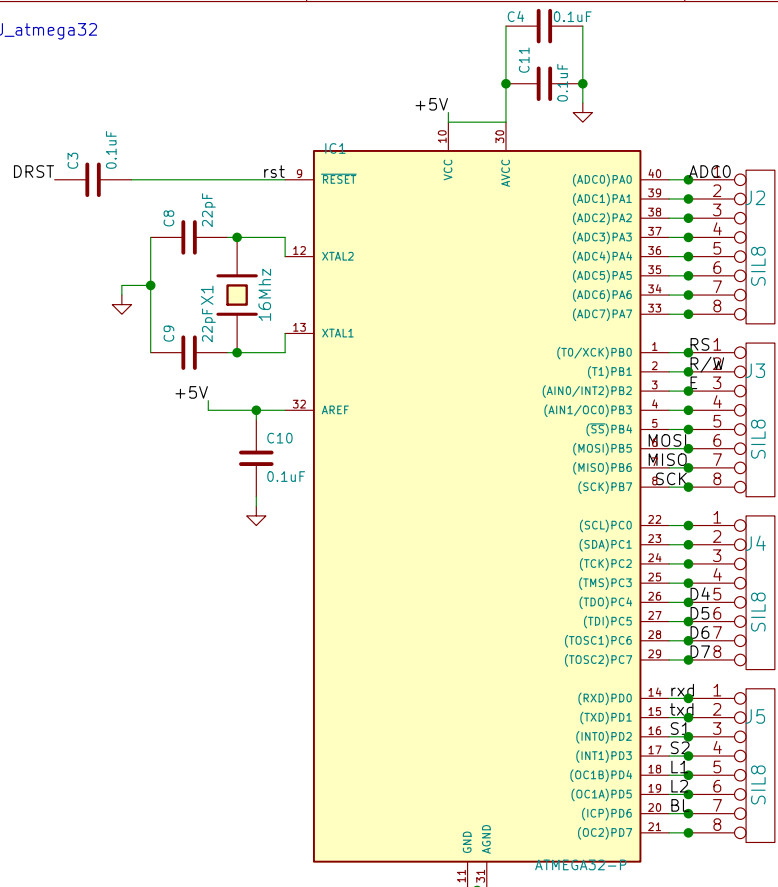
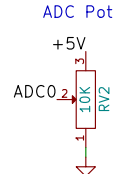
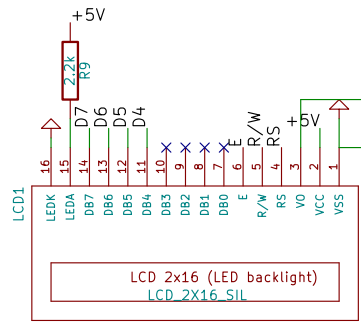


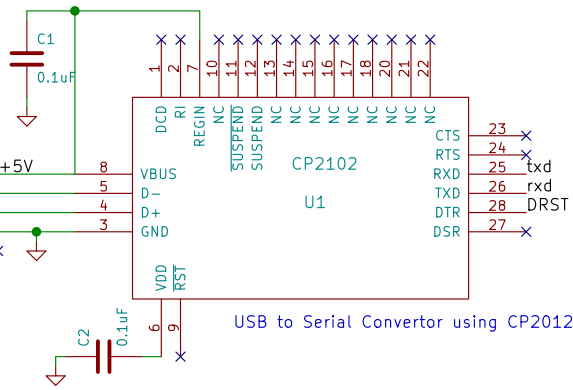
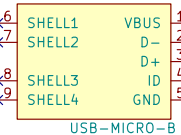
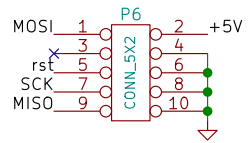
MCU_atmega32



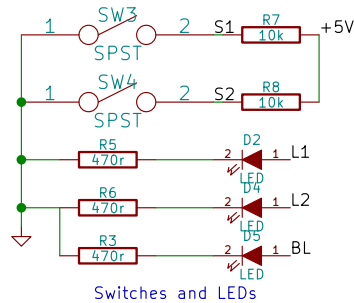
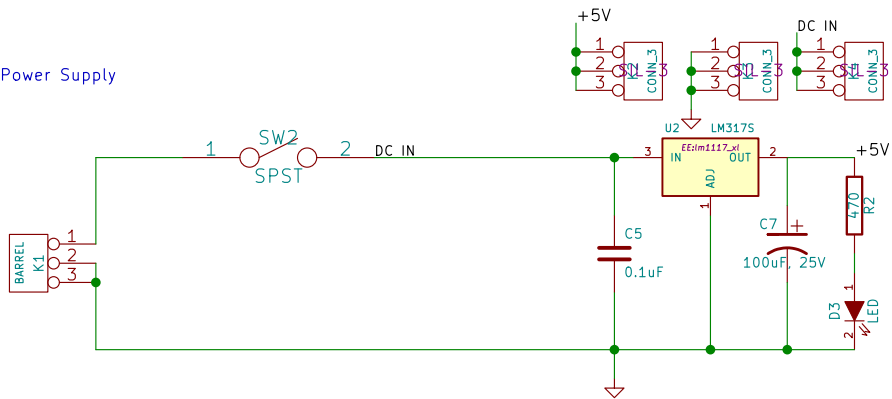
LCD 16x2



ISP Header



Power Supply



- Connect:1pin
- P1
 - P2
 - P3
 - P4
- Mount Holes

ExploreEmbedde.com

Sheet: /
File: Starter_AVR.sch

Title: Explore Starter AVR

Size: A4 Date: 5 apr 2014
KiCad E.D.A. kicad (2015-01-16 BZR 5376)-product

Rev:
Id: 1/1

