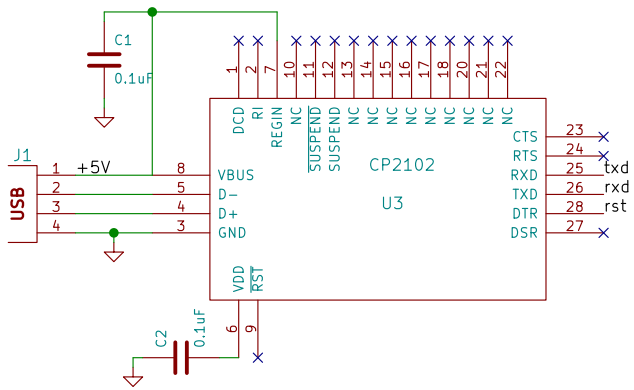
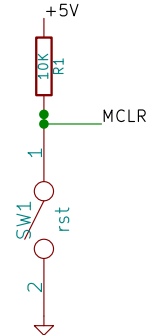


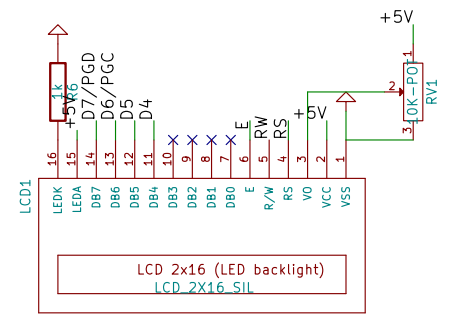
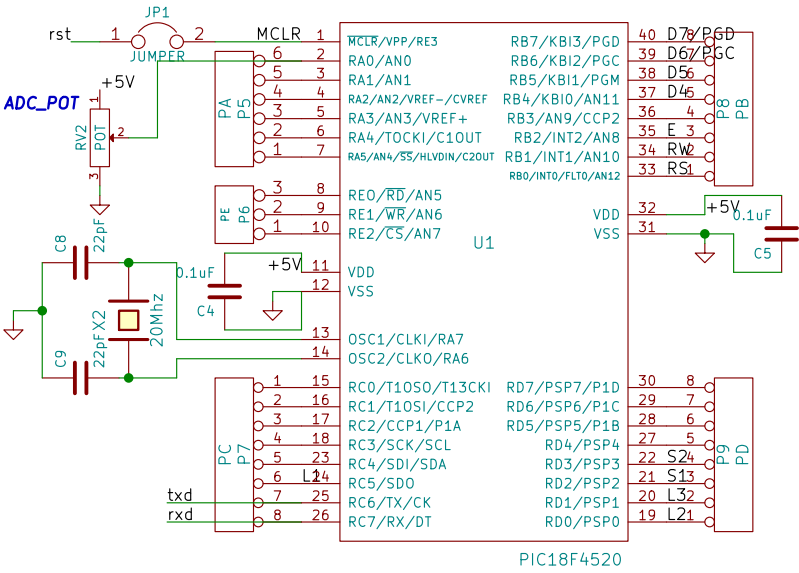
USB to Serial Converter



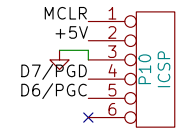
RESET CIRCUIT



MCU

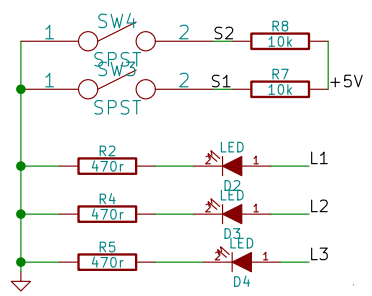


LCD 16x2

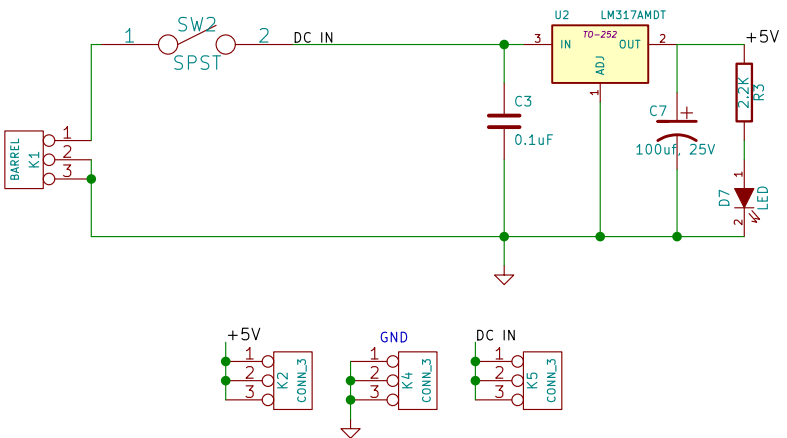


ICSP Breakout

Test Switch and LEDs



Power Supply



Mount holes

- X ○ P11
- X ○ P12
- X ○ P13
- X ○ P14

www.ExploreEmbedded.com

ExploreEmbedded

Sheet: /

File: Pro-pic.sch

Title: PIC_Starter

Size: A4 Date: 22 mar 2014

KiCad E.D.A. kicad (2015-01-16 BZR 5376)-product

Rev:

Id: 1/1

