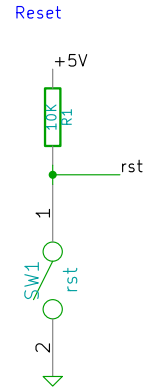
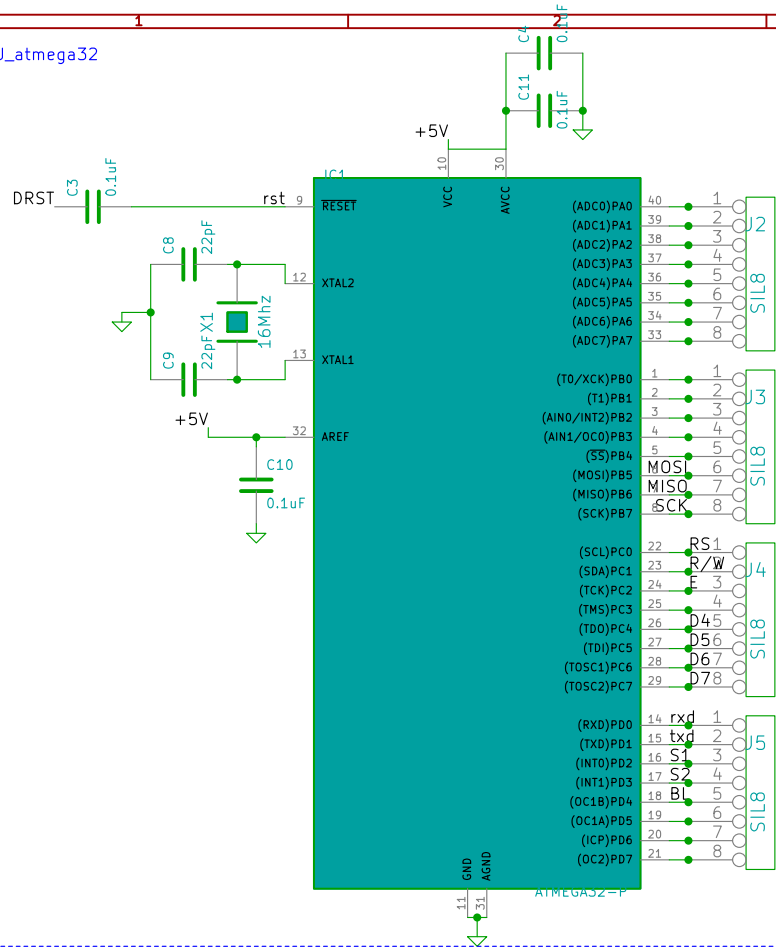
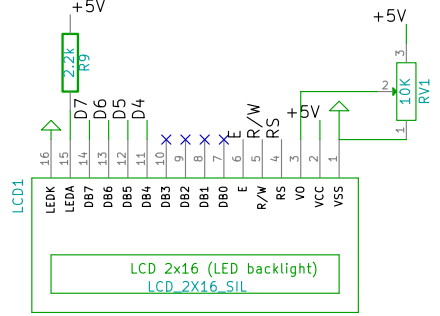


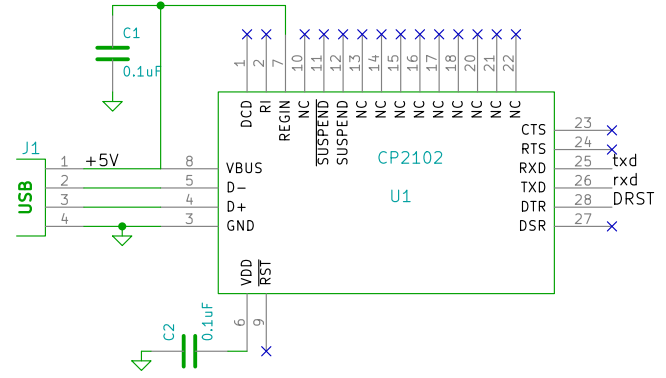
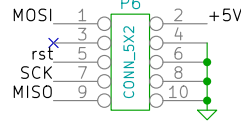
MCU_atmega32



LCD 16x2

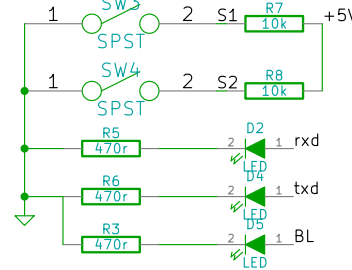
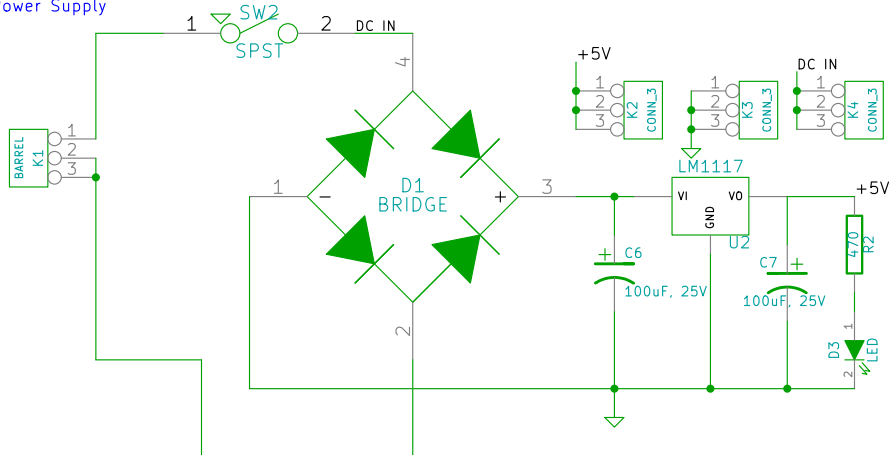


ISP Header



USB to Serial Converter using CP2102

Power Supply



Switches and LEDs

Mount Holes

- X ○ P1
- X ○ P2
- X ○ P3
- X ○ P4
- X ○ P5
- X ○ P7
- X ○ P8
- X ○ P9

Xplore LabZ

File: Starter_AVR.sch

Sheet: /

Title: Starter_AVR.sch

Size: A4

Date: 5 apr 2014

KiCad E.D.A.

Rev:

Id: 1/1